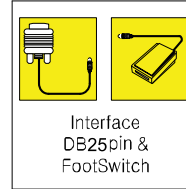




## DIGITAL PRECISION DISPENSING DRIVE



### FEATURES

- High reliability flow control
- Graphic LCD Display
- Compatibility various
- Convenient Calibration
- BLDC Motor, Reversible
- PWM Control
- Overload Safety
- Clean Enclosure
- CE mark : EN61010-1, EN61326-1

### INTERNAL DRIVE CONTROL

- RPM : 1.6 ~ 100 / 10 ~ 600
- Flow rate : 0.06 ~ 3400 mL/min
- Volume
- Dispense ( volume / copy / time )
- Calibration
- Direction
- Maximum Flow (PRIME)
- Start/Stop

### REMOTE DRIVE CONTROL

- Start/Stop, CW/CCW, PRIME
- Speed Control IN / OUTPUT : 0~20mA, 4~20mA, 0~10V
- Tach Output
- Warning Alarm (General Alarm)
- Motor Running Indicator
- Motor Running (N/O, N/C Contact)
- Foot Switch

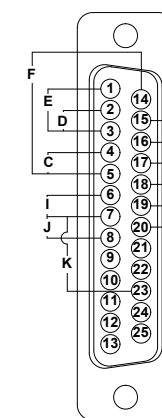
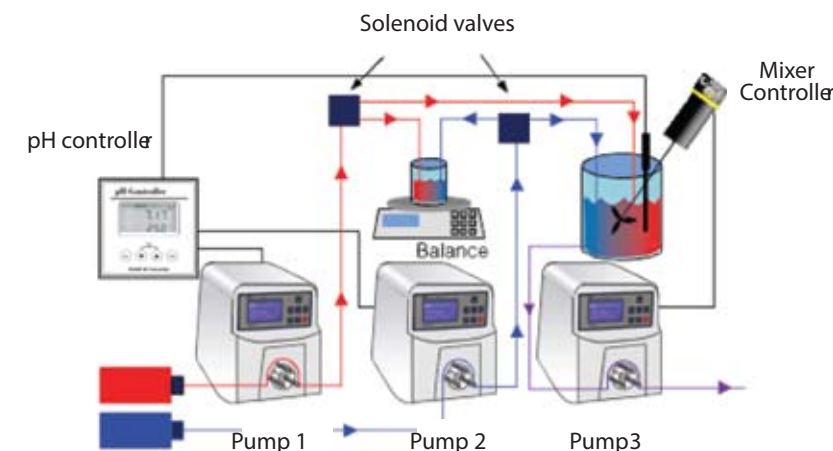
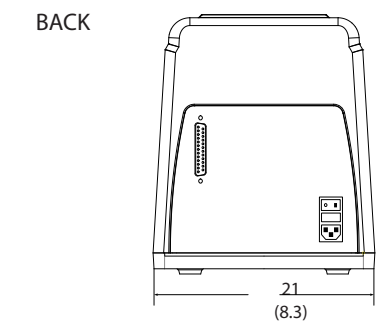
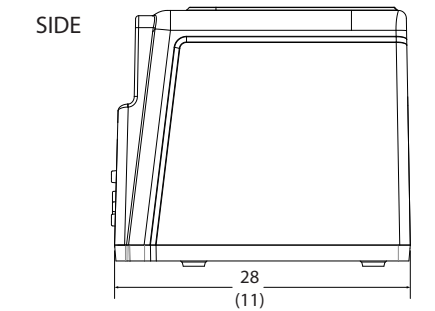
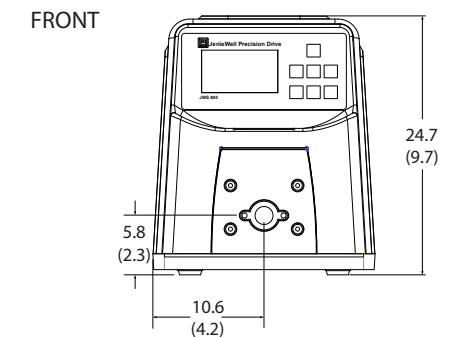


MODEL No. JWS600, JWS100

## SPECIFICATION

| Description       | JWS100  | JWS600          |
|-------------------|---|-----------------|
| Flow range        | 0.1~580mL/min   | 0.6 ~3400mL/min |
| RPM               | 1.6 ~ 100   | 10 ~ 600        |
| Head accepted     | 4   | 2               |
| Maximum torque    | 7.7 ~ 200 kg-cm   |                 |
| Reversible        | Yes   |                 |
| External Input    | 0~20mA, 4~20mA, 0~10V, Start/Stop, Start/Stop, CW/CCW, MAX Running        |                 |
| External Output   | 0~20mA, 4~20mA, 0~10V, Pulse, General Alarm, Motor Running, RS232(option) |                 |
| Voltage           | 230V~, 50/60Hz  |                 |
| Current           | 1.0A at 230V  |                 |
| Fuse rating       | T3.0 A / 250V   |                 |
| Motor type        | BLDC  |                 |
| Motor size        | 100W  |                 |
| Display           | 128 x 64 Graphic LCD  |                 |
| Motor control     | PWM Control   |                 |
| Speed regulation  | ±0.1% Speed control   |                 |
| Electronic brake  | Yes   |                 |
| Housing materials | ABS V0 Plastic Housing / Aluminum Painted                                 |                 |
| Certificated      | CE mark : EU low voltage, EU EMC  |                 |
| Operating Temp.   | 0 ~ 40°C  |                 |
| Storage Temp.     | -15 ~ 65°C  |                 |
| Dimensions        | 28(L)x21(W)x23.3(H) cm  |                 |
| Weight            | 6.6 kg  |                 |

### Dimension cm(inch)



- A. START / STOP
- B. CW/CCW
- C. OUTPUT 0 ~ 20mA, 4 ~ 20mA
- D. INPUT 0 ~ 20mA, 4 ~ 20mA
- E. INPUT 0 ~ 10V
- F. OUTPUT 0 ~ 10V
- G. TACH OUTPUT
- H. Maximum (Prime)
- I. MOTOR RUNNING N/O. CONTACT
- J. MOTOR RUNNING N/O. CONTACT
- K. GENERAL ALARM

### Flow Rate (mL/min)

| Tubing In diameter mm (inch) | 0.8 (1/32")    | 1.59 (1/16") | 3.18 (1/8") | 4.76 (1/16") | 6.35 (1/4") | 7.9 (5/16")    | 4.76 (3/16") | 6.35 (1/4") | 7.9 (5/16") | 9.53 (3/8") |
|------------------------------|----------------|--------------|-------------|--------------|-------------|----------------|--------------|-------------|-------------|-------------|
| Tubing Wall Thickness        | 1.6 mm (1/16") |              |             |              |             | 2.4 mm (3/32") |              |             |             |             |
| Flow range (10 ~ 600 rpm)    | 0.6 ~ 36       | 2.1 ~ 130    | 8 ~ 480     | 17 ~ 1000    | 28 ~ 1700   | 38 ~ 2300      | 17 ~ 1000    | 28 ~ 1700   | 38 ~ 2300   | 48 ~ 2900   |
| Flow range (1.6 ~ 100 rpm)   | 0.1 ~ 6        | 0.4 ~ 21     | 1.4 ~ 80    | 3 ~ 170      | 5 ~ 280     | 6 ~ 380        | 3 ~ 170      | 5 ~ 280     | 6 ~ 380     | 8 ~ 480     |

- High Accuracy
- Low Price

JenieWell Precision Pump Drive System