



FEATURES

- High reliability flow control
- Graphic LCD Display
- Compatibility various
- Convenient Calibration
- BLDC Motor, Reversible
- MOTION Control
- Overload Safety
- Clean Enclosure
- CE mark : EN61010-1, EN61326-1

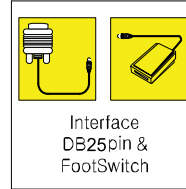
INTERNAL DRIVE CONTROL

- RPM : 0.01 ~ 600
- Flow rate : 0.000005 ~ 3400 mL/min
- Volume
- Dispenser (volume / copy / time)
- TM Volume
- SF Mode (Special Function)
- Calibration
- Direction
- Maximum Flow (PRIME)
- TIMER (on time / off time / copy)
- Anti Drop (0.1 ~ 99.9 cycle)
- START/STOP, AUTO START
- KEY Lock

REMOTE DRIVE CONTROL

- Start/Stop, CW/CCW, PRIME
- Speed Control IN / OUTPUT : 0 ~ 20mA, 0 ~ 10V proportion
- Motor Running (N/O, N/C Contact)
- Tach Output
- Warning Alarm (General Alarm)
- Motor Running Indicator
- Motor Running (N/O, N/C Contact)
- AUX 24V (+)
- RS485 Interface
- Foot Switch (Push / Toggle)

DIGITAL TechPre PRECISION DISPENSING DRIVE



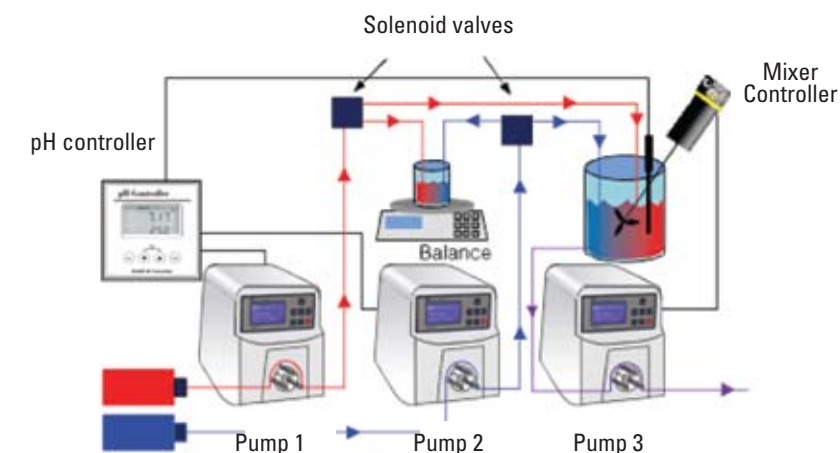
MODEL No. JWT600

Flow Rate (mL/min)

Tubing In diameter mm (inch)	0.8 (1/32")	1.59 (1/16")	3.18 (1/8")	4.76 (1/16")	6.35 (1/4")	7.9 (5/16")	4.76 (3/16")	6.35 (1/4")	7.9 (5/16")	9.53 (3/8")
Tubing Wall Thickness	1.6 mm (1/16")						2.4 mm (3/32")			
Flow range (0.01 ~ 600 rpm)	0.0006 ~ 36	0.002 ~ 130	0.008 ~ 480	0.017 ~ 1000	0.028 ~ 1700	0.038 ~ 2300	0.017 ~ 1000	0.028 ~ 1700	0.038 ~ 2300	0.048 ~ 2900

SPECIFICATION

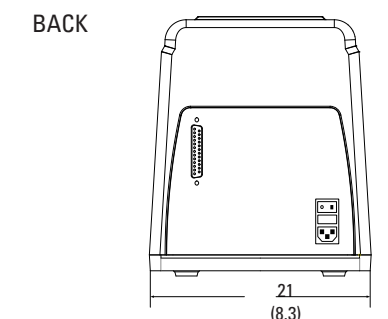
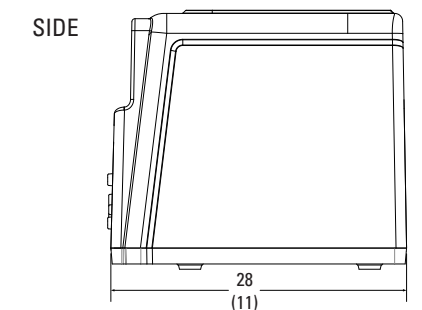
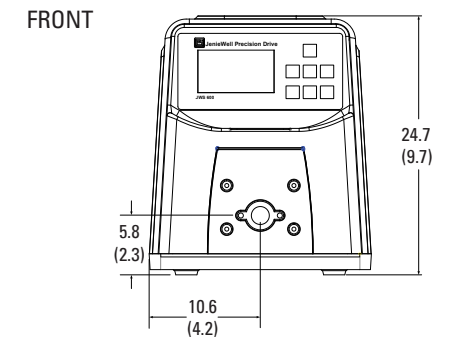
Description	JWT600
Flow range	0.000005 ~ 3400mL/min
RPM	0.01 ~ 600
Head accepted	4
Maximum torque	7.7 ~ 200 kg-cm
Reversible	Yes
External Input	0~20mA, 4~20mA, 0~10V, Start/Stop, CW/CCW, MAX Running, RS485
External Output	0~20mA, 4~20mA, 0~10V, Pulse, Motor Running, General Alarm, Remote Indicator, AUX 24V, RS485
Voltage	230V~, 50/60Hz
Current	1.0A at 230V
Fuse rating	T3.0 A / 250V
Motor type	BLDC
Motor size	100W
Display	160 x 80 Graphic LCD
Motor control	MOTION Control
Speed regulation	±0.1% Speed control
Electronic brake	Yes
Housing materials	ABS V0 Plastic Housing / Aluminum Painted
Certificated	CE mark : EU low voltage, EU EMC
Operating Temp.	0 ~ 40°C
Storage Temp.	-15 ~ 65°C
Dimensions	28(L)x21(W)x23.3(H) cm
Weight	6.6 kg



- High Accuracy
- Low Price

JenieWell TechPre Precision Pump Drive System

Dimension cm(inch)



-
- A. START / STOP
 - B. CW/CCW
 - C. OUTPUT 0 ~ 20mA, 4 ~ 20mA
 - D. INPUT 0 ~ 20mA, 4 ~ 20mA
 - E. INPUT 0 ~ 10V
 - F. OUTPUT 0 ~ 10V
 - G. TACH OUTPUT
 - H. Maximum (PRIME)
 - I. MOTOR RUNNING N/O. CONTACT
 - J. MOTOR RUNNING N/C. CONTACT
 - K. 24V (150mA max.)
 - L. General Alarm
 - M. Local.Remote Indicator
 - N. RS485 (10 TR)